

## INK JET COIL MARKER

The simple and efficient mechanical mechanism, in combination with ink jet marking nozzles provides a reliable marker for marking coils up to 150°C, depending on the selected ink. The marked characters resist the annealing process. The mechanical mechanism is swivelling its marking head onto the surface of the coil and writes the characters, in one or more lines, horizontal on the circumference.

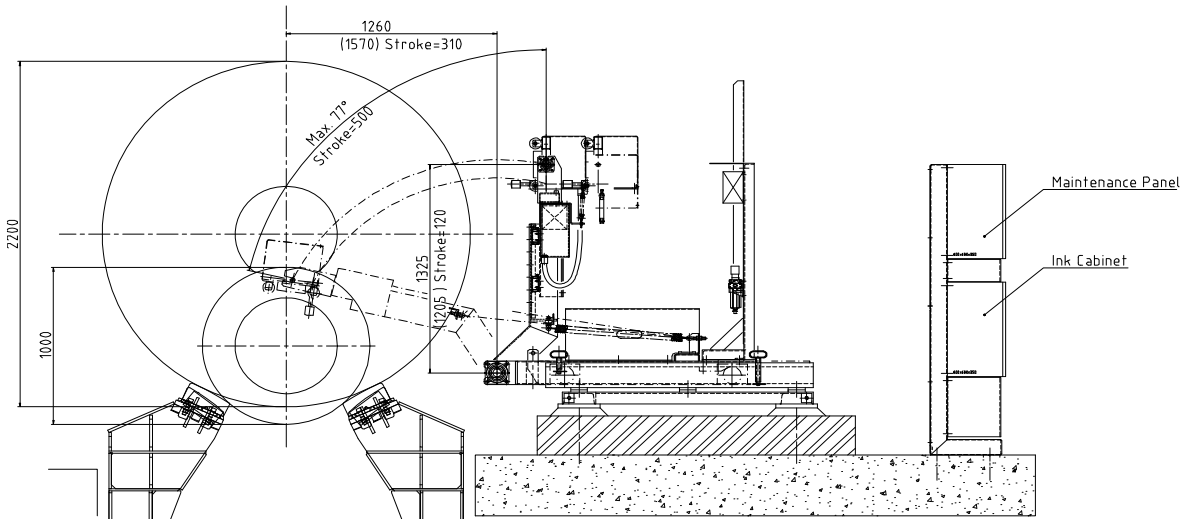
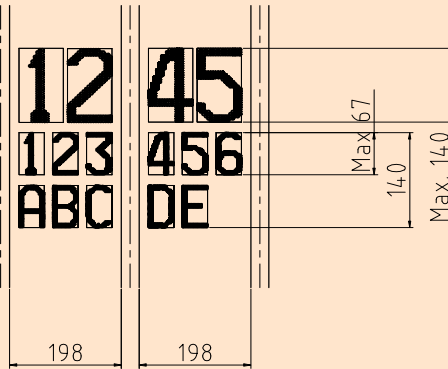


### Features

- Full automatic marking
- The configuration of this design saves space on site
- No intermediate cleaning in the open air between each marking cycle
- Fonts are free programmable
- Numerous types of inks and colours are applicable
- Ink level indication and warning
- Marking is annealing process resistible
- Easy installation integration in existing and new production lines
- Low maintenance costs

**Marking sample:**

Other marking sizes are possible.



**Standard Specification Ink Jet Coil Marker**

- |   |  |
|---|--|
| - Measuring time                        | measuring depends on coil diameter                     |
| - Character writing time                | sec 0.2 per character (linear movement)                |
| - Coil diameter                         | up to 2,700 mm   |
| - Total weight marker                   | 500 kg   |
| - Control                               | S7 3xx PLC   |
| - Communication                         | Ethernet/Profibus DP                                   |
| - Communication protocol                | Any standard   |
| - Max. coil surface temperature         | 150 °C   |
| - Standard Ink colour                   | Black  |
| - Character height                      | Single line: Max. 140 mm<br>Dual line: Max. 67 mm each |
| - Overall length                        | 2.150 mm   |
| - Overall width                         | 1.150 mm   |
| - Power consumption                     | 3,0 kW   |
| - Supply voltage                        | any standard   |
| - Other PLC make and types are possible |  |